



LEDVANCE® UPLIGHT

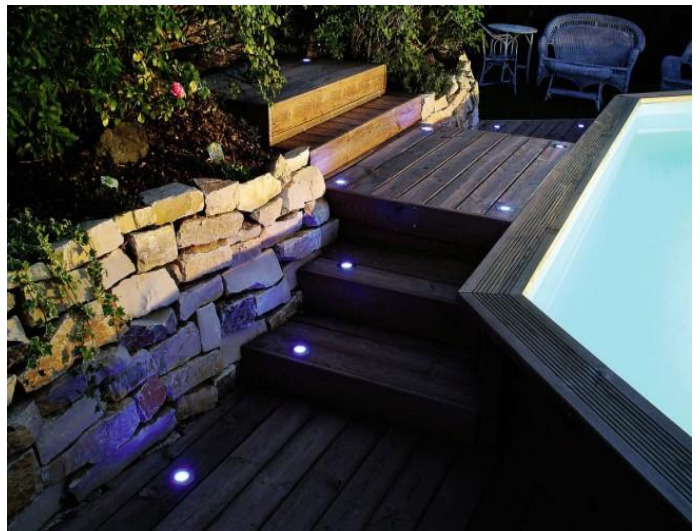
6W / 9W / 15W / 24W
3 000K / 5 000K

Beneficios

- ✓ Cuerpo de Acero Inoxidable
- ✓ Excelente disipación de calor
- ✓ Protección contra radiación UV
- ✓ No requiere el uso de lámparas complementarias
- ✓ Certificación NOM

IP67

VIDA ÚTIL
30 000 hrs



Aplicaciones



Ambiente
Residencial



Jardines



Entradas
principales



Areas
Recreativas



Pasillos
exteriores

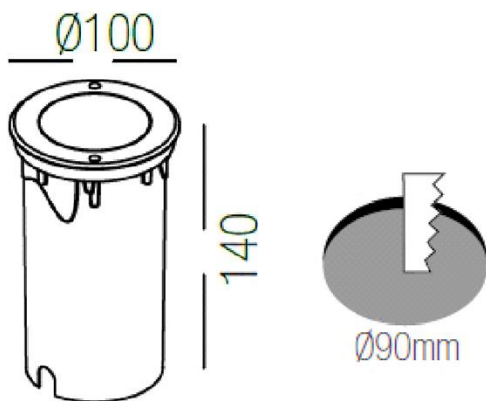
PERFOR-
MANCE
CLASS

NOM

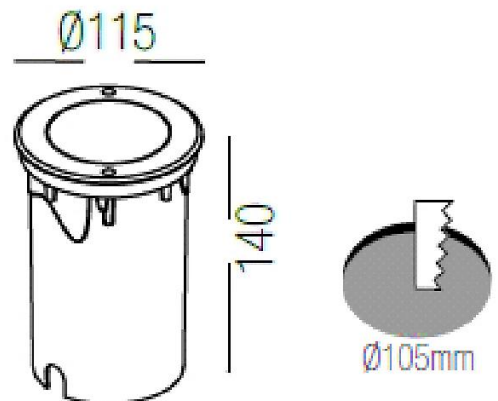
Características del Producto

| | | | | |
|---|-------------------|-----------|------------|------------|
| Potencia Nominal | 6W | 9W | 15W | 24W |
| Flujo Luminoso | 540 lm | 900 lm | 1 500 lm | 2 400 lm |
| Equivalencia | 1X40W HAL | 1X60W HAL | 1x100W HAL | 1x150W HAL |
| Tensión Nominal | 100-240 V~ | | | |
| Frecuencia | 50/60 Hz | | | |
| Eficiencia | 90 lm/W | 100 lm/W | | |
| Temperatura de Color | 3 000 K / 5 000 K | | | |
| Índice de Reproducción de Color (IRC) | >70 | | | |
| Factor de Potencia | >0.9 | | | |
| Ángulo de Apertura | 10° / 20° | | | |
| Vida Útil | 30 000 h (L70) | | | |
| Atenuable | No | | | |
| Índice de Protección | IP67 | | | |
| Protección contra Impactos Mecánicos | IK10 | | | |
| Garantía | 3 años | | | |
| Mínima y Máxima Temperatura de Operación | -40~... +45°C | | | |
| Mínima y Máxima Temperatura de Almacenaje | -20~... +60°C | | | |
| Distorsión de Armónicas (THD) | <20% | | | |
| Material de la luminaria | Acero Inoxidable | | | |
| Material del lente | Vidrio Templado | | | |

Dimensiones

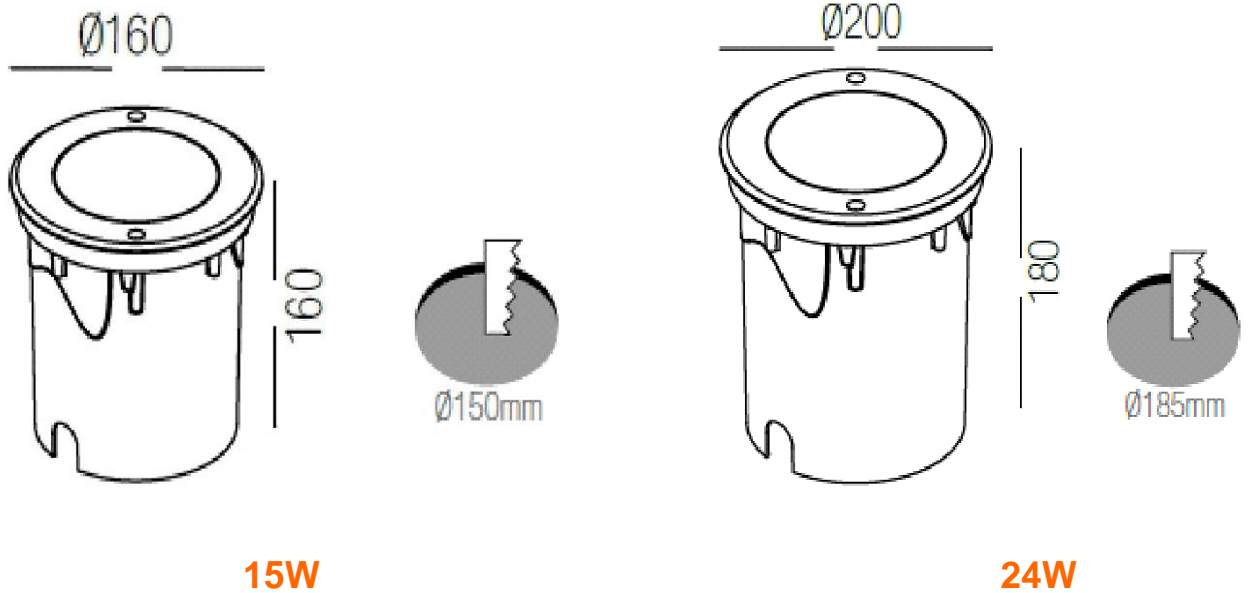


6W



9W

Dimensiones

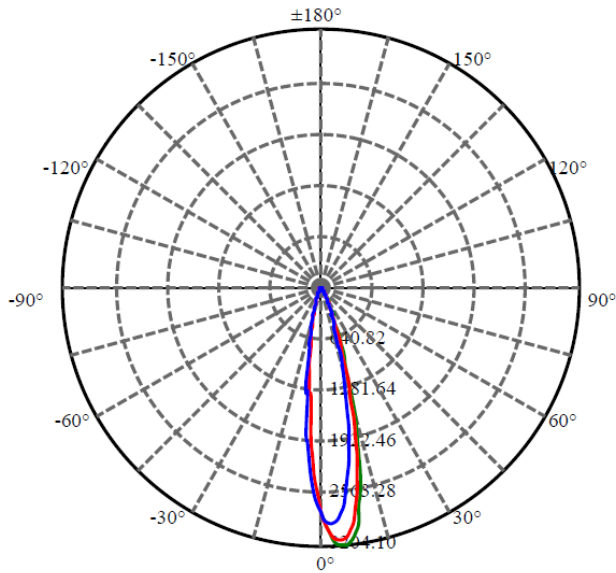


Datos del Producto

| Clave | Descripción | Pieza Caja | Peso (g) | EAN 10 | Dimensiones EAN10 (mm) | Peso EAN 10 (g) | EAN 40 | Dimensiones EAN40 (mm) | Peso EAN 40 (g) |
|---------|--------------------------------|------------|----------|---------------|------------------------|-----------------|---------------|------------------------|-----------------|
| 7017359 | LEDVANCE UPLIGHT 6W 3000K 20° | 8 | 856 | 4058075511354 | 150*150*160 | 1053 | 4058075511361 | 315*315*340 | 7.3Kg |
| 7017360 | LEDVANCE UPLIGHT 6W 5000K 20° | 8 | 856 | 4058075511378 | 150*150*160 | 1053 | 4058075511385 | 315*315*340 | 7.3Kg |
| 7017361 | LEDVANCE UPLIGHT 9W 3000K 10° | 4 | 856 | 4058075511392 | 150*150*160 | 1053 | 4058075511408 | 315*315*340 | 7.3Kg |
| 7017362 | LEDVANCE UPLIGHT 9W 3000K 20° | 4 | 856 | 4058075511415 | 150*150*160 | 1053 | 4058075511422 | 315*315*340 | 7.3Kg |
| 7017363 | LEDVANCE UPLIGHT 9W 5000K 10° | 4 | 856 | 4058075511439 | 150*150*160 | 1053 | 4058075511446 | 315*315*340 | 7.3Kg |
| 7017364 | LEDVANCE UPLIGHT 9W 5000K 20° | 4 | 856 | 4058075511453 | 150*150*160 | 1053 | 4058075511460 | 315*315*340 | 7.3Kg |
| 7017365 | LEDVANCE UPLIGHT 15W 3000K 20° | 4 | 2070 | 4058075511477 | 230*230*225 | 2130 | 4058075511484 | 480*480*245 | 9.3Kg |
| 7017366 | LEDVANCE UPLIGHT 15W 5000K 20° | 4 | 2070 | 4058075511491 | 230*230*225 | 2130 | 4058075511507 | 480*480*245 | 9.3Kg |
| 7017367 | LEDVANCE UPLIGHT 24W 3000K 10° | 4 | 3048 | 4058075511514 | 260*260*250 | 3240 | 4058075511521 | 540*540*270 | 13.9Kg |
| 7017369 | LEDVANCE UPLIGHT 24W 3000K 20° | 4 | 3048 | 4058075511538 | 260*260*250 | 3240 | 4058075511545 | 540*540*270 | 13.9Kg |
| 7017370 | LEDVANCE UPLIGHT 24W 5000K 10° | 4 | 3048 | 4058075511552 | 260*260*250 | 3240 | 4058075511569 | 540*540*270 | 13.9Kg |
| 7017371 | LEDVANCE UPLIGHT 24W 5000K 20° | 4 | 3048 | 4058075511576 | 260*260*250 | 3240 | 4058075511583 | 540*540*270 | 13.9Kg |

Diagrama Fotométrico

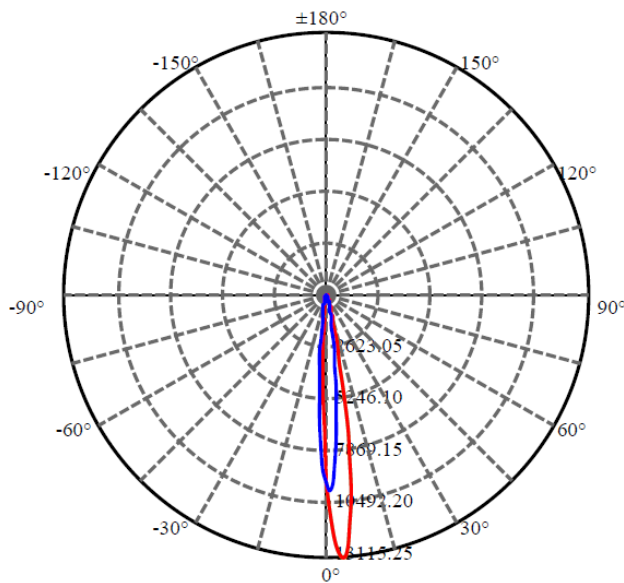
Curva Iluminación-Distancia



| | | |
|------|--------------------|----------|
| 1.0m | 3204.1 , 2285.6 lx | 35.03cm |
| 2.0m | 801.0 , 571.4 lx | 70.07cm |
| 3.0m | 356.0 , 254.0 lx | 105.10cm |
| 4.0m | 200.3 , 142.9 lx | 140.13cm |
| 5.0m | 128.2 , 91.4 lx | 175.16cm |
| 6.0m | 89.0 , 63.5 lx | 210.20cm |
| 7.0m | 65.4 , 46.6 lx | 245.23cm |
| 8.0m | 50.1 , 35.7 lx | 280.26cm |
| 9.0m | 39.6 , 28.2 lx | 315.29cm |

Max , Ave Beam angle of C30 plane 19.70

6W



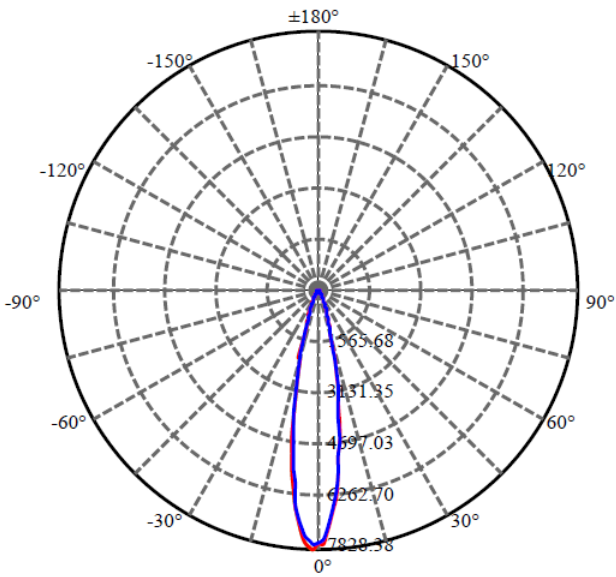
| | | |
|------|---------------------|----------|
| 1.0m | 13115.3 , 7393.5 lx | 17.85cm |
| 2.0m | 3278.8 , 1848.4 lx | 35.69cm |
| 3.0m | 1457.3 , 821.5 lx | 53.54cm |
| 4.0m | 819.7 , 462.1 lx | 71.38cm |
| 5.0m | 524.6 , 295.7 lx | 89.23cm |
| 6.0m | 364.3 , 205.4 lx | 107.07cm |
| 7.0m | 267.7 , 150.9 lx | 124.92cm |
| 8.0m | 204.9 , 115.5 lx | 142.76cm |
| 9.0m | 161.9 , 91.3 lx | 160.61cm |

Max , Ave Beam angle of C0 plane 10.15

10W

Diagrama Fotométrico

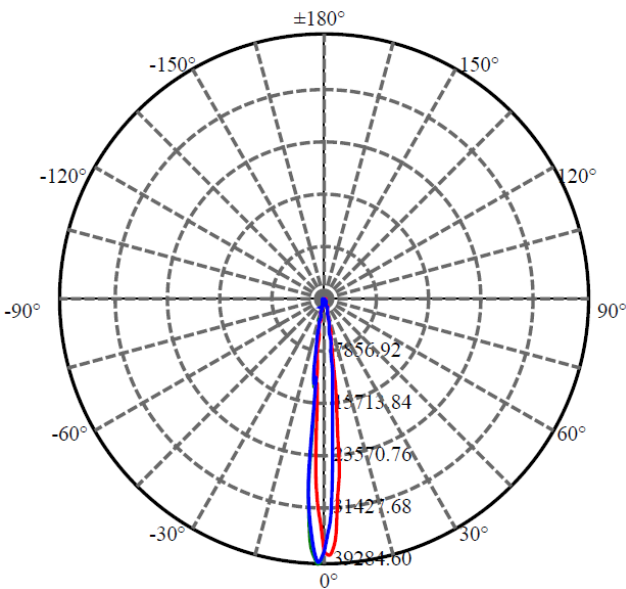
Curva Iluminación-Distancia



| | | |
|------|--------------------|----------|
| 1.0m | 7828.4 , 6076.2 lx | 35.75cm |
| 2.0m | 1957.1 , 1519.1 lx | 71.49cm |
| 3.0m | 869.8 , 675.1 lx | 107.24cm |
| 4.0m | 489.3 , 379.8 lx | 142.98cm |
| 5.0m | 313.1 , 243.0 lx | 178.73cm |
| 6.0m | 217.5 , 168.8 lx | 214.47cm |
| 7.0m | 159.8 , 124.0 lx | 250.22cm |
| 8.0m | 122.3 , 94.9 lx | 285.96cm |
| 9.0m | 96.6 , 75.0 lx | 321.71cm |

Max , Ave Beam angle of C180 plane 20.26

15W



| | | |
|------|----------------------|----------|
| 1.0m | 39284.6 , 31120.4 lx | 16.43cm |
| 2.0m | 9821.1 , 7780.1 lx | 32.85cm |
| 3.0m | 4365.0 , 3457.8 lx | 49.28cm |
| 4.0m | 2455.3 , 1945.0 lx | 65.71cm |
| 5.0m | 1571.4 , 1244.8 lx | 82.14cm |
| 6.0m | 1091.2 , 864.5 lx | 98.56cm |
| 7.0m | 801.7 , 635.1 lx | 114.99cm |
| 8.0m | 613.8 , 486.3 lx | 131.42cm |
| 9.0m | 485.0 , 384.2 lx | 147.85cm |

Max , Ave Beam angle of C300 plane 9.39

24W